

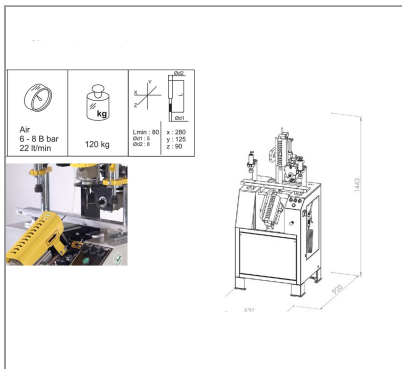


ALPTECH INTERNATIONAL

Address: Plot No. A/232, Road No. 21, 'Y' Lane, Wagle Estate, Thane-400 604. INDIA. | **Telephone No.:** +91 9769976747 / 22-25823203
Email.: alptechinternational@gmail.com | **Web.:** www.alptechindia.com | **PAN NO.:** AARCA9816A | **GST No.:** 27AARCA9816A1ZJ

SC - 521 DRAIN SLOT MACHINE

UPVC MACHINE / COPY ROUTER



Sale Office: Office No 9 Gound Floor Sakhi House, Trombay Road, Chembur East, Mumbai - 400071. | **Warehouse:** Gala No 9, A 6 Block, Padmini Complex Off Kalher Naka, Bhiwandi. | **Telephone No.:** 91 9769976747 | **Email:** alptechinternational@gmail.com



ALPTECH INTERNATIONAL

Address: Plot No. A/232, Road No. 21, 'Y' Lane, Wagle Estate, Thane-400 604. INDIA. | **Telephone No.:** +91 9769976747 / 22-25823203
Email.: alptechinternational@gmail.com | **Web.:** www.alptechindia.com | **PAN NO.:** AARCA9816A | **GST No.:** 27AARCA9816A1ZJ

Description:

DESCRIPTION :

Relevance with CE standards .

Possibility of opening drain channels of UPVC profile .

Ability to operate three groups separately .

Possibility of water drain system to work in angle position .

Pneumatic profile clamping system .

Full automatic system .

Product Code: PRO-400

Country:  Turkish

HSN Code: 0

Unit: 0

Gross Weight:

Net Weight:

Dimension: 0

Sale Office: Office No 9 Ground Floor Sakhi House, Trombay Road, Chembur East, Mumbai - 400071. | **Warehouse:** Gala No 9, A 6 Block, Padmini Complex Off Kalher Naka, Bhiwandi. | **Telephone No.:** 91 9769976747 | **Email:** alptechinternational@gmail.com